

How to Assemble the Kayak Tilt. Wall-mounted Boat Sling for Kayaks of any width.

1. Assemble each bracket as shown in the illustration.

2. Plan the position of your boat and Kayak Tilt. The chart below will help you determine how far apart they should be. These dimensions are only suggestions. Your actual dimensions may vary.

3. It is very important that you locate the center of each stud. We suggest the use of a stud finder.

4. Place one post on the wall where the stud is. Mark the top hole.

5. Drill a hole using a 13/64" bit.

6. Loosely attach the top of the first post with one lag bolt and washer.

7. Using a level, rotate the post until it is vertical. Mark the bottom hole.

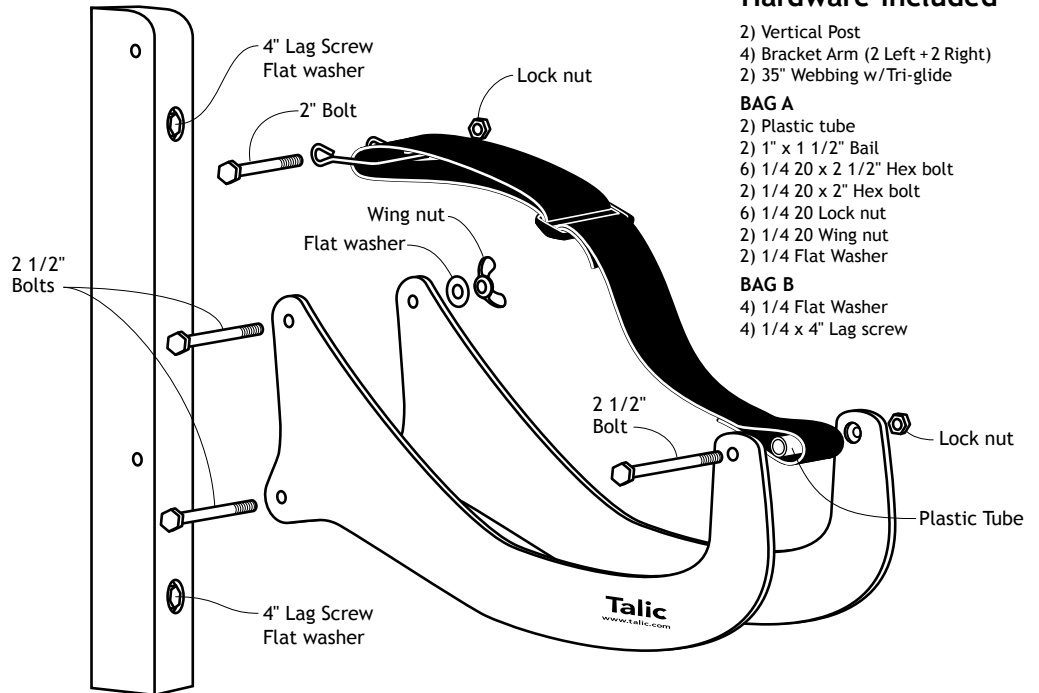
8. Swing the bracket out of the way. Drill the bottom hole.

9. Attach the bottom part of the bracket with a second lag bolt and washer. Securely tighten both bolts.

10. Find the second stud.

11. Measuring from the floor, repeat the height of the top lag bolt on the first post.

12. Repeat steps 5-9 for the second post.



Hardware included

- 2) Vertical Post
- 4) Bracket Arm (2 Left + 2 Right)
- 2) 35" Webbing w/Tri-glide

BAG A

- 2) Plastic tube
- 2) 1" x 1 1/2" Bail
- 6) 1/4 20 x 2 1/2" Hex bolt
- 2) 1/4 20 x 2" Hex bolt
- 6) 1/4 20 Lock nut
- 2) 1/4 20 Wing nut
- 2) 1/4 Flat Washer

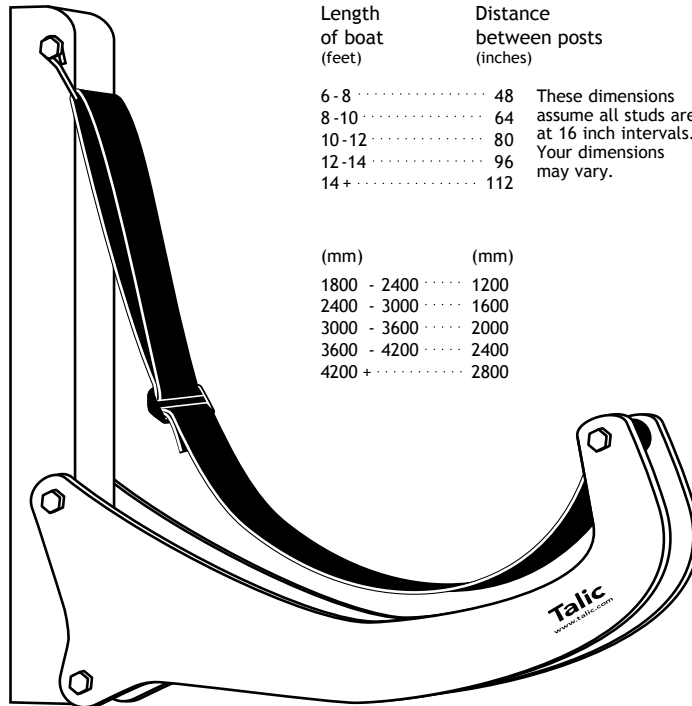
BAG B

- 4) 1/4 Flat Washer
- 4) 1/4 x 4" Lag screw

Mounting Suggestions

Length of boat (feet)	Distance between posts (inches)	
6-8	48	These dimensions assume all studs are at 16 inch intervals. Your dimensions may vary.
8-10	64	
10-12	80	
12-14	96	
14+	112	

(mm)	(mm)
1800 - 2400	1200
2400 - 3000	1600
3000 - 3600	2000
3600 - 4200	2400
4200 +	2800



Be Good To Your Toys™